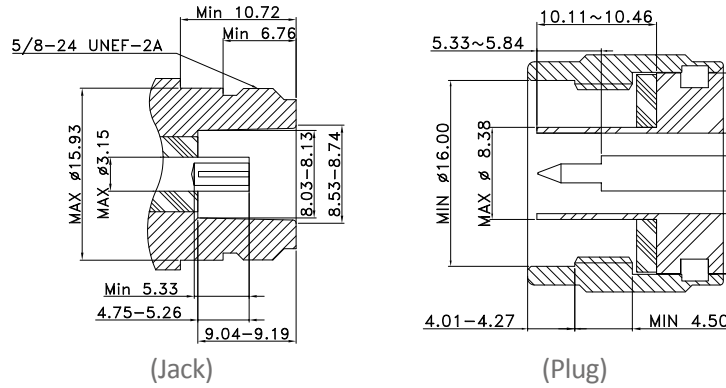


► Introduction

Gigalane N-type connectors are designed for applications up to 6 GHz
Because of the endurance, it is optimum for high power fixed wireless communication equipments.

► Interface Standards (MIL-STD-348)

Unit : mm



► Specification

Electrical

Frequency	DC to 6 GHz
Impedance	50 Ω
VSWR	1.2 : 1 @ 6 GHz
Insulation Resistance	5000 MΩ
Dielectric Withstand Voltage	1200 Vrms max.
Contact Resistance - Outer Conductor - Inner Conductor	1mΩ max. 1mΩ max.
Insertion Loss	0.2 dB max. @ 3 GHz
RF Leakage	> 60 dB
Power Handling	500W (@ 2 GHz)

Mechanical

Mating Cycle (Durability)	500
Recommended Mating Torque	0.68 ~ 1.33 Nm / 6.9 ~ 13.6 kgfcm
Proof Torque	1.73 Nm / 17.6 kgfcm
Coupling Nut Retention Force	45.8 kgf(450 N)
Contact Captivation	2.8 kgf Min. (28N Min.)

Environmental

Temperature	- 40°C to + 125°C
Thermal Shock	MIL-STD-202, method 107, test condition B
Corrosion (Salt Spray)	MIL-STD-202, method 101, test condition B, 5% salt
Vibration	MIL-STD-202, method 204, condition B (20G)
Shock	MIL-STD-202, method 213, condition I (100G)
Moisture Resistance	MIL-STD-202, method 106


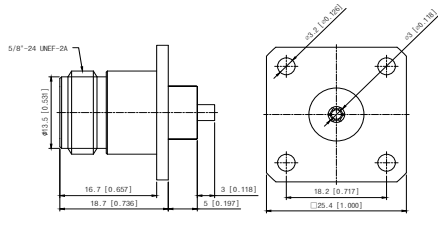

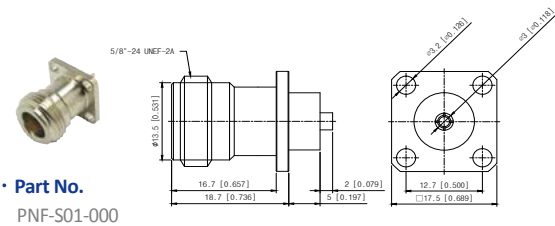
Materials

Body	Brass	Ni Plated
Center contact	Beryllium Copper(BeCu) Brass	Gold Plated Gold Plated
Insulator	PTFE	-
Gaskets	Silicon	-

N-Type Connectors

► JACK (Female)


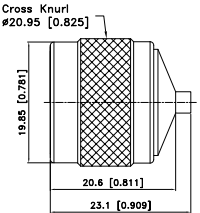

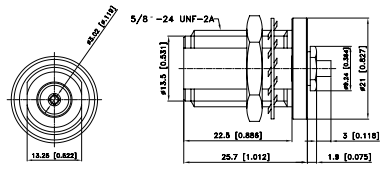
Unit : mm [Inch]

Panel Mount (4 HOLE, 25.4 mm SQUARE)	Panel Mount (4 HOLE, 17.5 mm SQUARE)
 <p>• Part No. PNF-S00-000 *PCB Pattern See Fig 15</p> 	 <p>• Part No. PNF-S01-000 *PCB Pattern See Fig 15</p> 


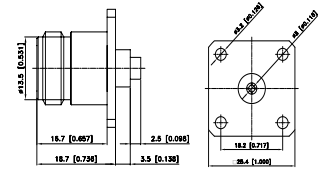
N-Type Connectors for Cable Assemblies

► For Semi-Rigid & Semi-Flexible Cable Assemblies

Unit : mm [Inch]


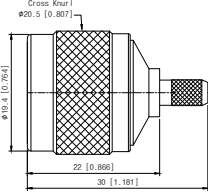
Straight PLUG	Bulk head PLUG
 <p>• Cable • Part No. 085 NMS01 (G07SMC001) 141 NMS31 (G07SMC034) 141 NMS17 (G07SMC021)</p> 	 <p>• Cable • Part No. 085 NFS01 141 NFS02</p> 

Panel Mount (4 HOLE, 25.4 mm SQUARE)

 	<p>• Cable • Part No. 085 NFS09 141 NFS03</p>
-------------------------------------------------------------------------------------------------------------------------------------------------------------------------	------------------------------------------------------------------------

► For Flexible Cable Assemblies

Unit : mm [Inch]

Straight PLUG	
 	<p>• Cable • Part No. RG316 NMS06 RG400 NMS04</p>