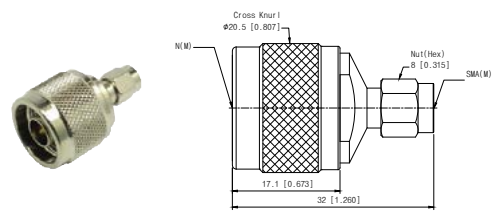
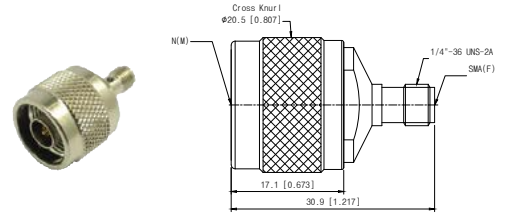
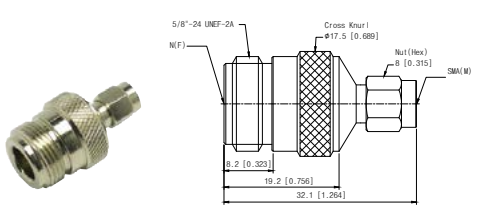
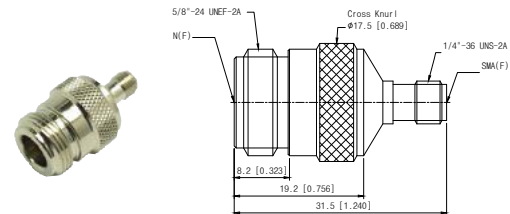


Standard Adapters

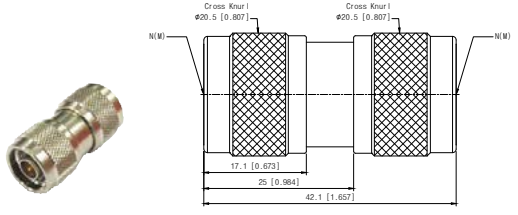
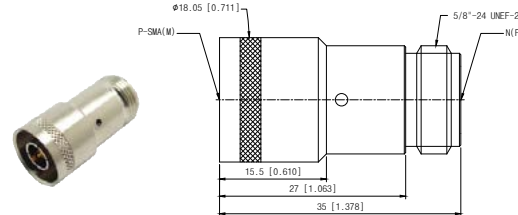
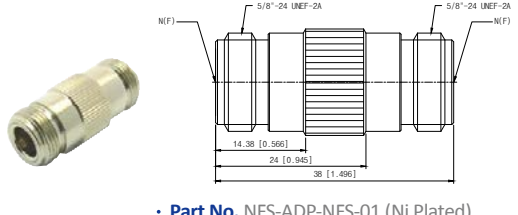
► N to SMA

Unit : mm [Inch]

N (M) – SMA (M)	N (M) – SMA (F)
 <p>• Part No. NMS-ADP-AMS-01 (Ni Plated) • Freq. 12 GHz • VSWR Max. 1.2</p>	 <p>• Part No. NMS-ADP-AFS-01 (Ni Plated) • Freq. 12 GHz • VSWR Max. 1.2</p>
N (F) – SMA (M)	N (F) – SMA (F)
 <p>• Part No. NFS-ADP-AMS-01 (Ni Plated) • Freq. 12 GHz • VSWR Max. 1.2</p>	 <p>• Part No. NFS-ADP-AFS-01 (Ni Plated) • Freq. 12 GHz • VSWR Max. 1.2</p>

► N to N

Unit : mm [Inch]

N (M) – N (M)	N (M) – N (F) Push Type
 <p>• Part No. NMS-ADP-NMS-01 (Ni Plated) • Freq. 6 GHz • VSWR Max. 1.2</p>	 <p>• Part No. PUS-ADP-NFS-01 • Freq. 6 GHz • VSWR Max. 1.2</p>
N (F) – N (F)	
 <p>• Part No. NFS-ADP-NFS-01 (Ni Plated) NFS-ADP-NFS-02 (Alloy Plated) • Freq. 6 GHz • VSWR Max. 1.2</p>	