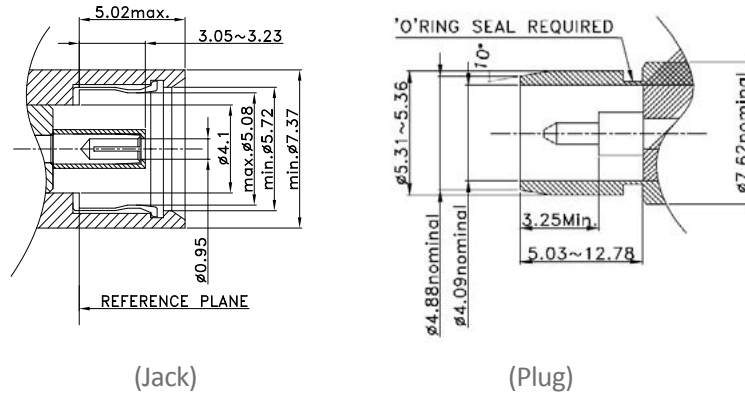


► Introduction

GigaLane BMA Connectors offer you precise mating and excellent VSWR performance through 18 GHz. They are designed based on MIL standard and are ideally suited for communication base station equipment, rack-and-panel applications with appropriate float-mounted jacks, building block systems such as radar.

► Interface Standards (MIL-STD-348)

Unit : mm



(Jack)

(Plug)

► Specification

Electrical

Frequency	DC to 18 GHz
Impedance	50 Ω
VSWR	Connector- 1.2:1 (@18GHz) / Connector for Cable: 1.22~1.45:1(@18GHz)
Insulation Resistance	5000 MΩ
Dielectric Withstand Voltage	1000 Vrms max.
Contact resistance	
- Outer Conductor	2mΩ max.
- Inner Conductor	3mΩ max.
Insertion Loss	0.3dB max. (@ 18 GHz)
RF Leakage	- 90 dB @ 3 GHz

Mechanical

Mating Cycle (Durability)	1000
Engagement Force	2.5 kg max. (24.5 N)
Disengagement Force	0.2 kg min (1.9 N)

Environmental

Temperature	- 40°C to + 125°C
Thermal Shock	MIL-STD-202, method 107, Condition B
Corrosion (Salt Spray)	MIL-STD-202, method 101, Condition B
Shock	MIL-STD-202, method 213, Condition I
Vibration	MIL-STD-202, method 204, Condition D
Moisture resistance	MIL-STD-202, method 106

Materials

Body	Beryllium Copper (BeCu)	Gold Plated
	Brass	Gold Plated, Ni Plated
	Stainless Steel	Passivated, Gold Plated
Center Contact	Beryllium Copper (BeCu)	Gold Plated
	Brass	Gold Plated
Insulator	PTFE	-

BMA Connectors

· DC to 18 GHz · High Reliability & Ease of Assembly · Push-On, Non-Locking Type

► PLUG (Male)

Unit : mm [Inch]

Panel Mount (2 HOLE, 15.9 mm LONG)	Panel Mount (4 HOLE, 12.8 mm SQUARE)
<p>· Part No. PMM-S00-000 (G05SMA002)</p>	<p>· Part No. PMM-S01-000 (G05SMA003)</p>

► BMA Connectors for Cable Assemblies

Unit : mm [Inch]

Straight PLUG Bulkhead (SR085, SF085)	Straight PLUG Bulkhead (SR141, SF141)
<p>· Part No. MMS01 (G05SMC004), VSWR 1.45:1 (@18GHz)</p>	<p>· Part No. MMS02 (G05SMC005), VSWR 1.22:1 (@18GHz)</p>
Straight Aligner JACK (SR085, SF085)	Right Angle JACK (2 HOLE, 21.9 mm LONG) (SR141, SF141)
<p>· Part No. MFS01 (G05SFC002) VSWR 1.45:1 (@18GHz)</p>	<p>· Part No. G05RFC001 VSWR 1.22:1 (@2GHz)</p>

► Test Result of BMA Connectors

